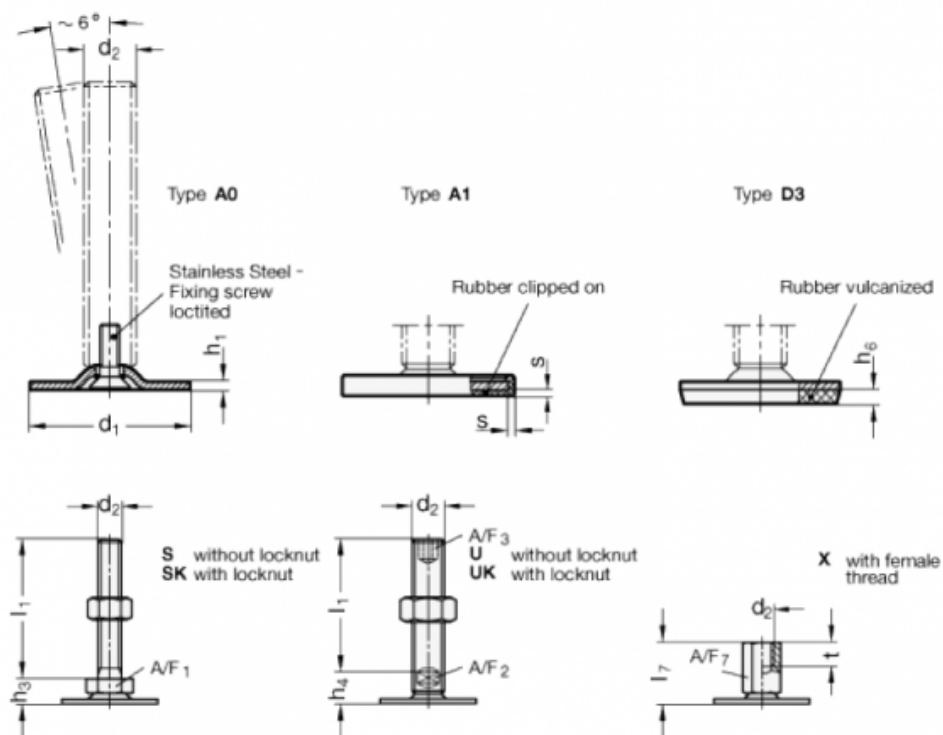


Article number: 204050M16200A3UK

Description: E+G levelling foot
GN 40-50-M16-200-A3-UK

Note: UK With nut, Hexagon socket at the top, Wrench flat at the bottom

Measures



A/F2 = 12
A/F3 = 8
d1 = 50
d2 = M16
h1 = 2.5
h4 = 17
h6 = 4
l1 = 200

s =